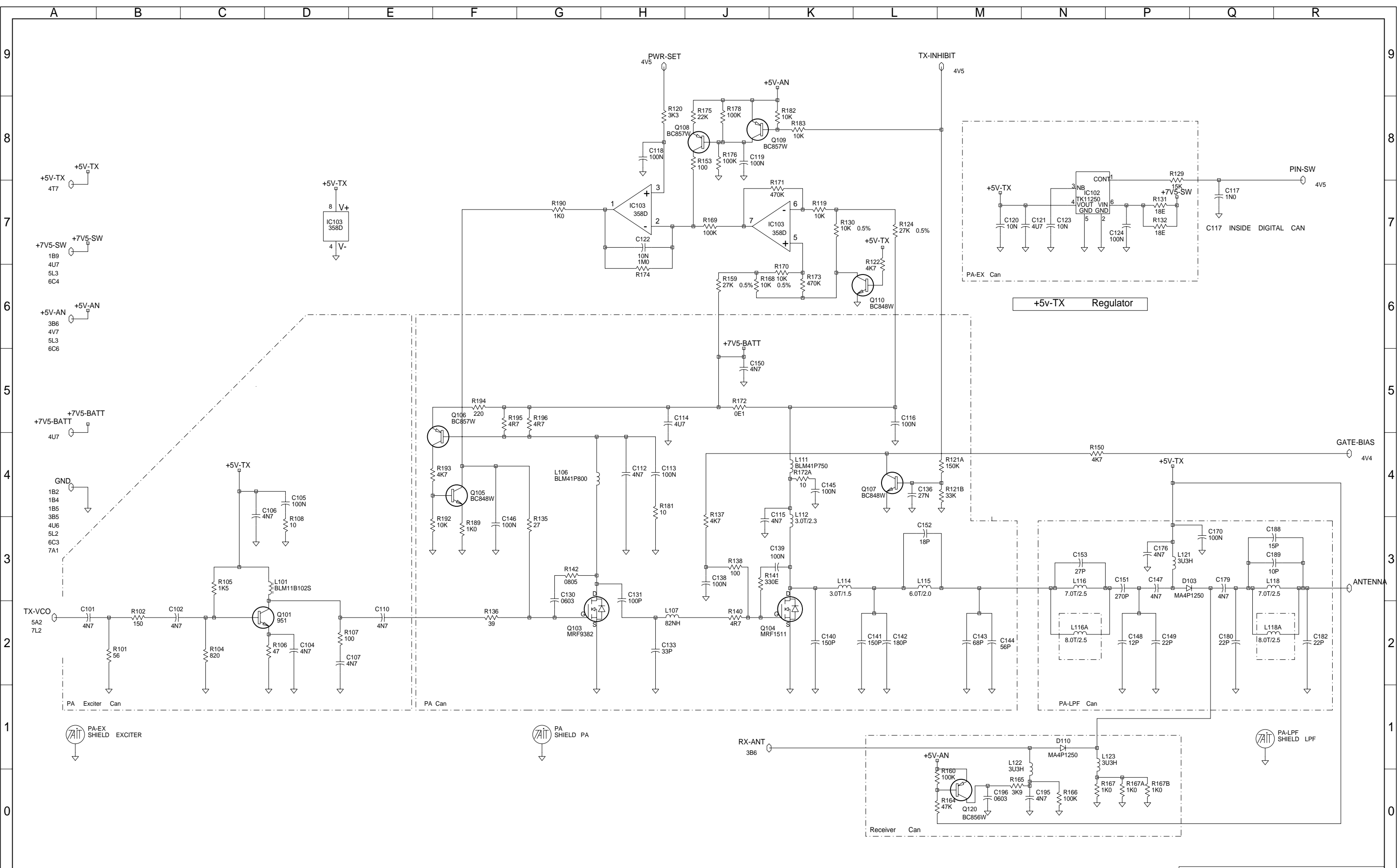


SUB-VHF
Tait Orca

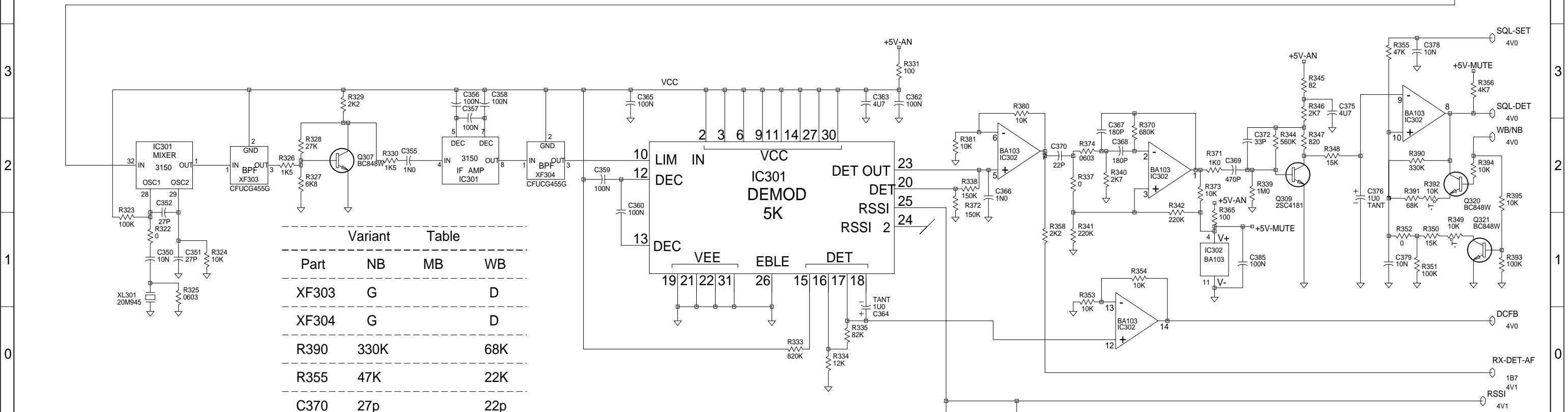
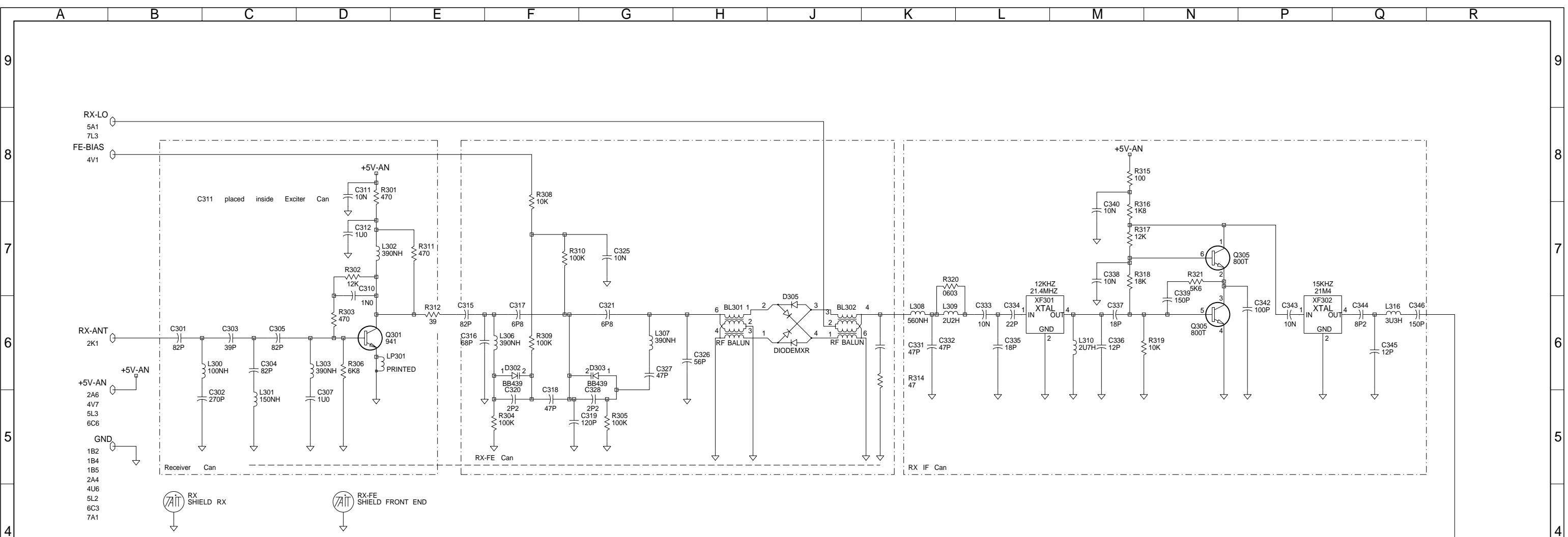
| | |
|---------------------|-------------------------|
| © TAIT ELECTRONICS | |
| ORCA : 220-01616-05 | 66-88MHZ SYSTEM DIAGRAM |
| IPN: A | ISSUE: 2.SC. 1 |
| PROJECT: TAIT ORCA | DESIGNER: BRD |
| FILE NAME: 161605a | FILE DATE: 24-Nov-99 |
| NO. SHEETS: 7 | |

| | | | | | | |
|---------|----------------------------------|-------|------|------|------|----------|
| 05A | ISO BUR LAYER CCO. 1616/007 | BRD | SP | CK | DW | 24/11/99 |
| 04A | CLONED 220-01616-01 CCO 1616/006 | BRD | SP | CK | DW | 24/11/99 |
| REV/ISS | AMENDMENTS | DRAWN | CHKD | D.O. | APVD | DATE |



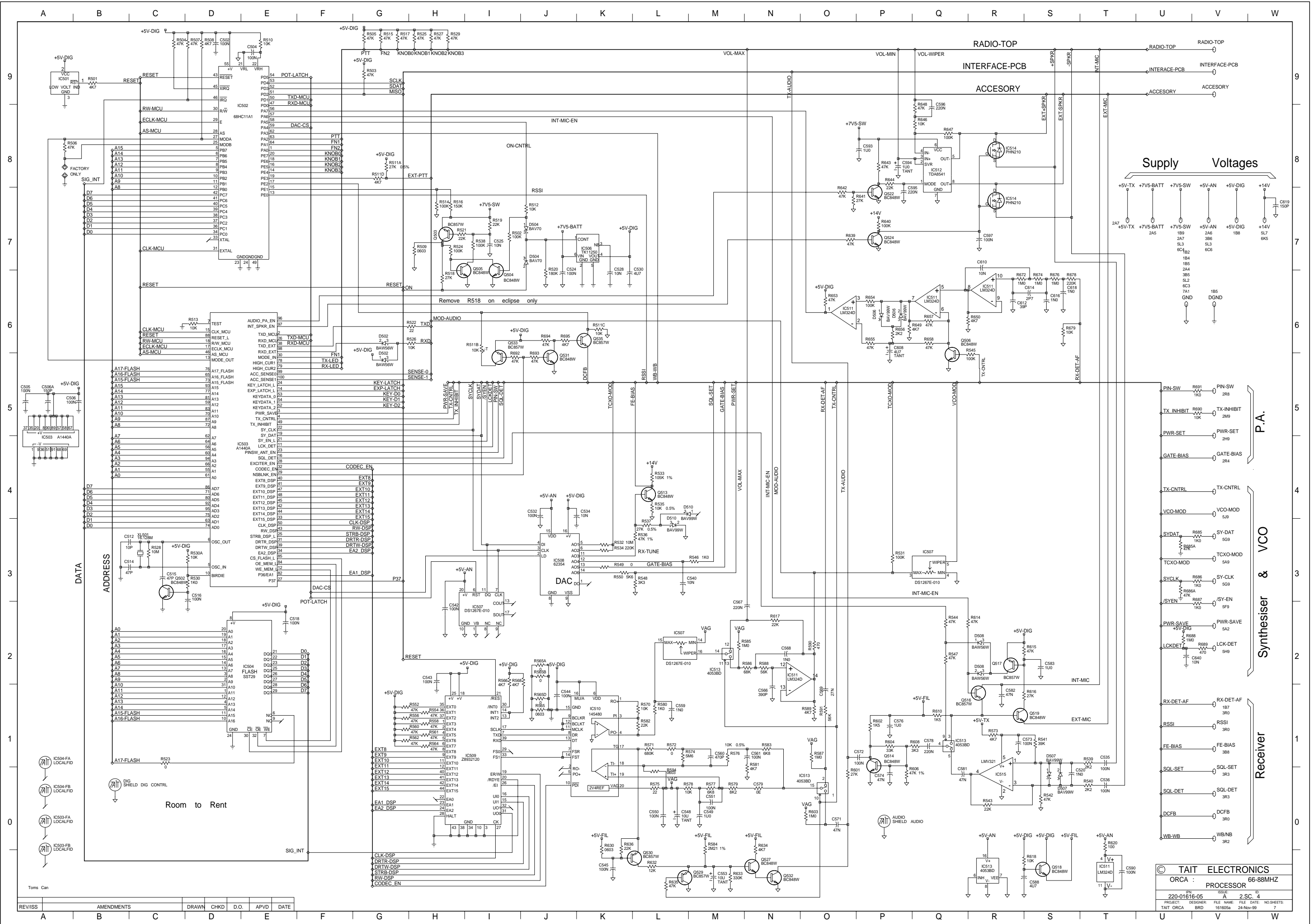
© TAIT ELECTRONICS
 ORCA : 66-88MHZ POWER AMPLIFIER
 IPN: 220-01616-05 ISSUE: A ID: 2.S.C. 2
 PROJECT: TAIT ORCA DESIGNER: BRD FILE NAME: 161605a FILE DATE: 24-Nov-99 NO.SHEETS: 7

| REV/ISS | AMENDMENTS | DRAWN | CHKD | D.O. | APVD | DATE |
|---------|------------|-------|------|------|------|------|
| A | | | | | | |



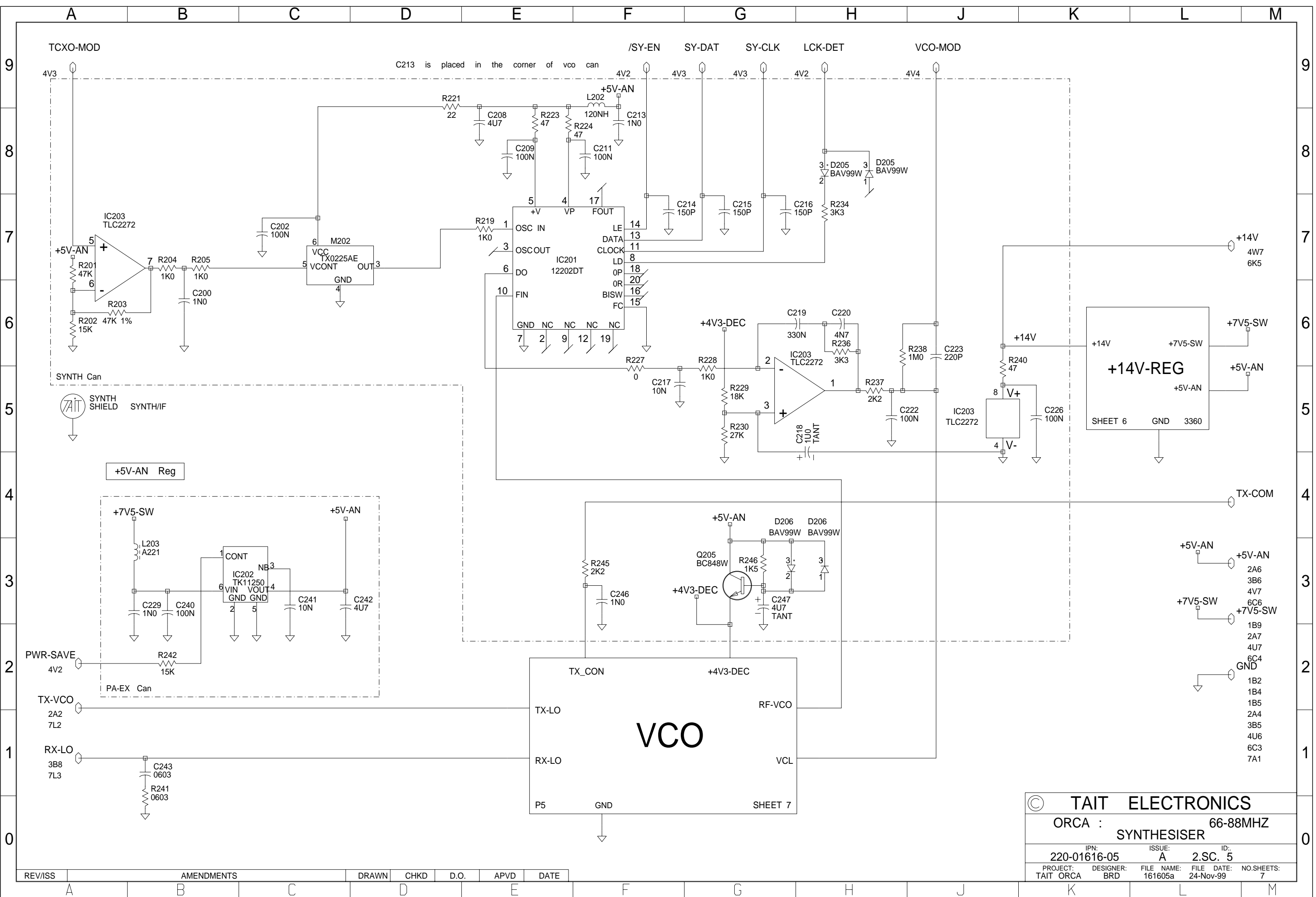
© TAIT ELECTRONICS
 ORCA : RECEIVER 66-88MHZ
 IPN: 220-01616-05 ISSUE: A 2.S.C. 3
 PROJECT: TAIT ORCA BRD DESIGNER: 161605a FILE NAME: 24-Nov-99 NO.SHEETS: 7

| REV/ISS | AMENDMENTS | DRAWN | CHKD | D.O. | APVD | DATE |
|---------|------------|-------|------|------|------|------|
| | | | | | | |



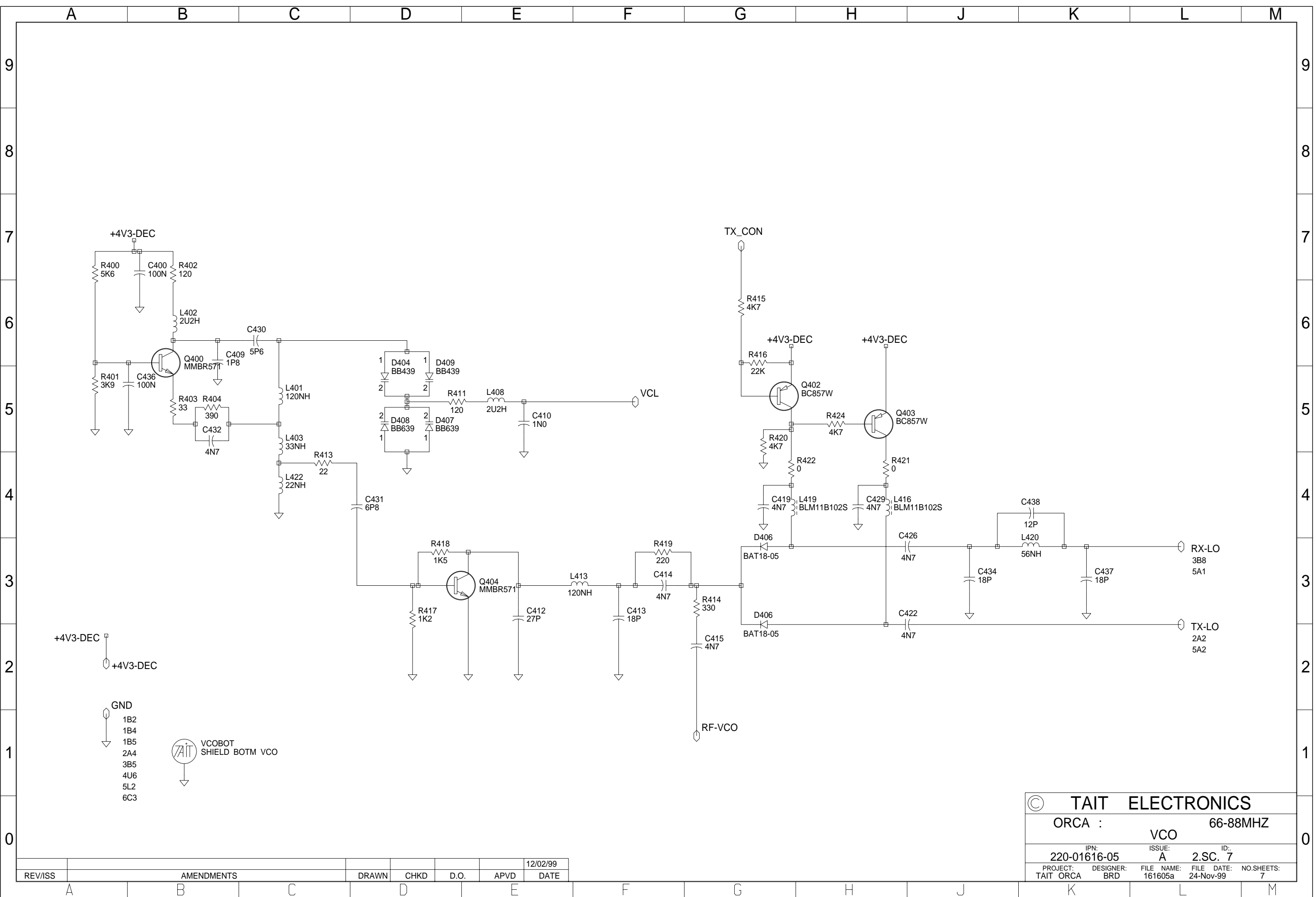
© TAIT ELECTRONICS
 ORCA : PROCESSOR 66-88MHZ
 220-01616-05
 PROJECT DESIGNER: FILE NAME: FILE DATE: NO SHEETS:
 TAIT ORCA BRD 161605A 24-Nov-99 7

| REV/ISS | AMENDMENTS | DRAWN | CHKD | D.O. | APVD | DATE |
|---------|------------|-------|------|------|------|------|
| | | | | | | |



© TAIT ELECTRONICS
 ORCA : 66-88MHZ SYNTHESISER
 IPN: 220-01616-05 ISSUE: A ID: 2.SC. 5
 PROJECT: TAIT ORCA DESIGNER: BRD FILE NAME: 161605a FILE DATE: 24-Nov-99 NO.SHEETS: 7

| REV/ISS | AMENDMENTS | DRAWN | CHKD | D.O. | APVD | DATE |
|---------|------------|-------|------|------|------|------|
| | | | | | | |



+4V3-DEC

+4V3-DEC

GND

1B2

1B4

1B5

2A4

3B5

4U6

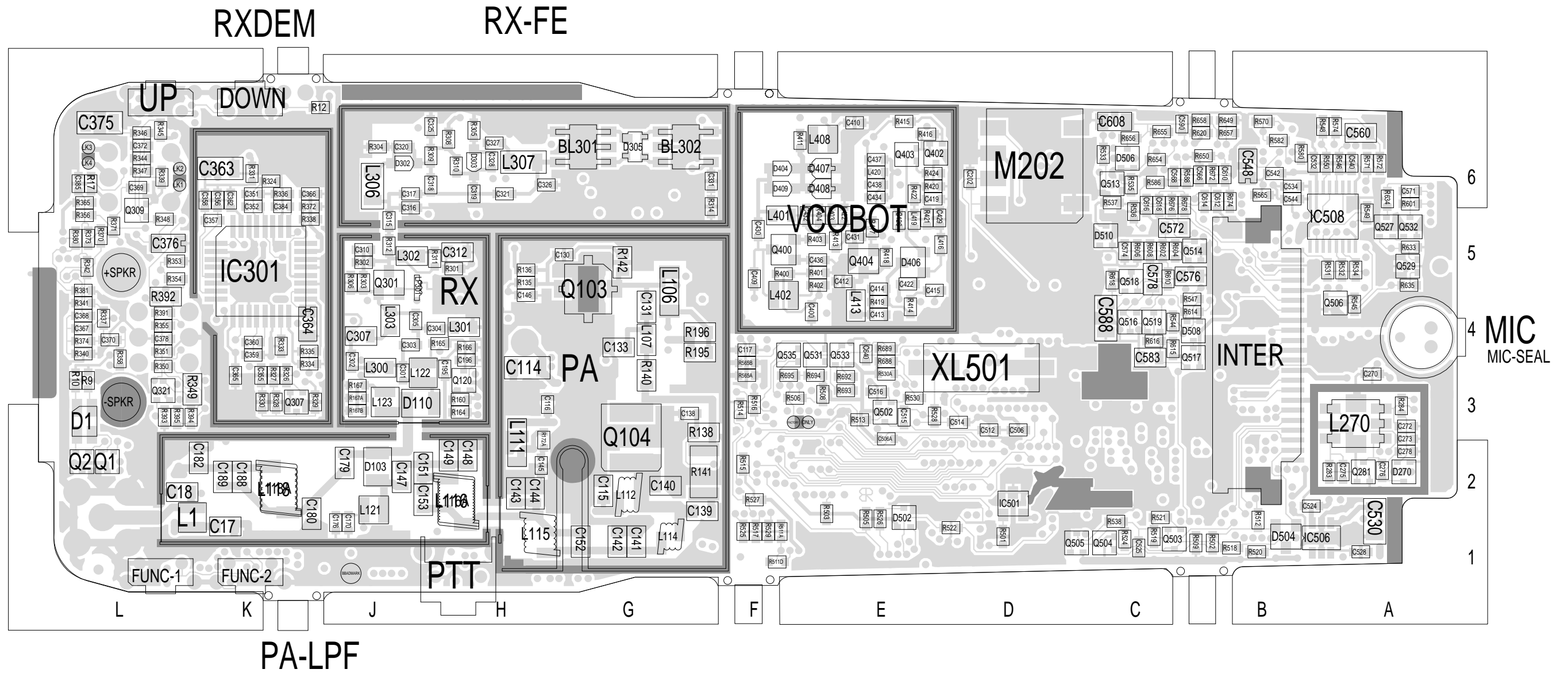
5L2

6C3

VCOBOT
SHIELD BOTM VCO

| | |
|--------------------|----------------------|
| © TAIT ELECTRONICS | |
| ORCA : | 66-88MHZ |
| VCO | |
| IPN: 220-01616-05 | ID: 2.SC. 7 |
| ISSUE: A | |
| PROJECT: TAIT ORCA | DESIGNER: BRD |
| FILE NAME: 161605a | FILE DATE: 24-Nov-99 |
| NO. SHEETS: 7 | |

| | | | | | | |
|---------|------------|-------|------|------|------|----------|
| REV/ISS | AMENDMENTS | DRAWN | CHKD | D.O. | APVD | DATE |
| | | | | | | 12/02/99 |



TAIT ELECTRONICS IPN: 220-01616-05 ISS: A ID: 6.BA DATE: 25 Nov 1999
 SUB VHF PCB LAYOUT - BOTTOM SIDE

Scale: 2.3:1 ; Rotation: 0 degrees